



■ **Applications:**

Freight Containers, Truck Doors, Rail Wagon, Trailers and all types of logistics

■ **Material:**

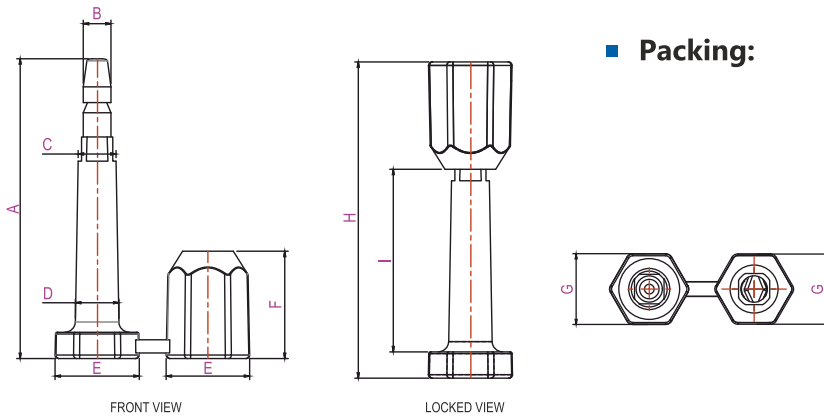
PP or ABS & low carbon steel with zinc plating

■ **Color:**

Red, Yellow, Blue, Orange, White, Green are standard colours
(Special Colours can be provided)

■ **Packing:**

200 seal per carton



Features:

- The Bolt seal is designed for securing high value cargo. A solid seal Bolt provides superior tensile strength while a molded plastic covering provides temper evidence and prevents theft
- Laser engraved numbering - impossible to change, increases security level
- Numbers on bolt and body prevents substitution of component parts
- Certification as per ISO 17712 : 2013 'H' compliant

Size A x B (mm)	C (mm)	D (mm)	E (mm)	F (mm)	G (mm)	H (mm)	I (mm)	Ten. Str.		Marking Space on Seal Body L x W (mm)	Cat No.
								Kgs	Lbs		
85 x Ø7.9	Ø10.8	Ø12.4	24.0	30.7	21.4	90	52	1300	2866	22 X 8	SSBH-8579
75 x Ø7.9	Ø11.2	Ø12.4	24.0	30.7	21.4	80	42	1300	2866	22 x 8	SSBH-7579