



■ **Applications:**

One piece padlock seal for various used like Airline trolleys, ATM canisters, meters, cabinets, hospital carts, zipper pouches, emergency kits and more

■ **Material:**

PPCP

■ **Color:**

Red, Yellow, Blue, Orange, White, Black are standard colours
(Special colours can be offered)

■ **Operating Temp:**

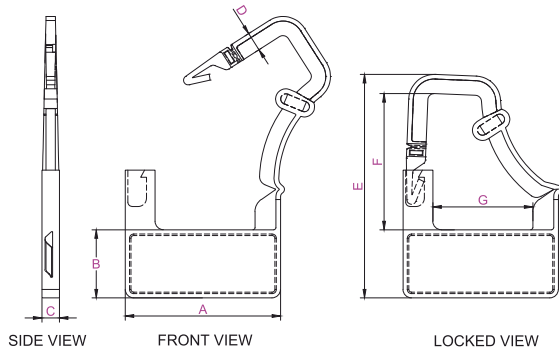
-40°C to +85°C

■ **Unit:**

100 Pcs/Pkt

Features:

- The locking device in the seal ensures 100% tamper evident application
- This plastic padlock seals are designed to break easily, with one hand or with the use of cutters.
- Individually numbered and laser print with company name and logo



Size	A (mm)	B (mm)	C (mm)	D (mm)	E (mm)	F (mm)	G (mm)	Break Strength		Marking Space L x W (mm)	Cat No.
								Kgs	Lbs		
58 x 21	36.50	16.00	4.10	4.50	52.0	31.70	23.50	10	22	32.5 x 13	SSPL-6636P